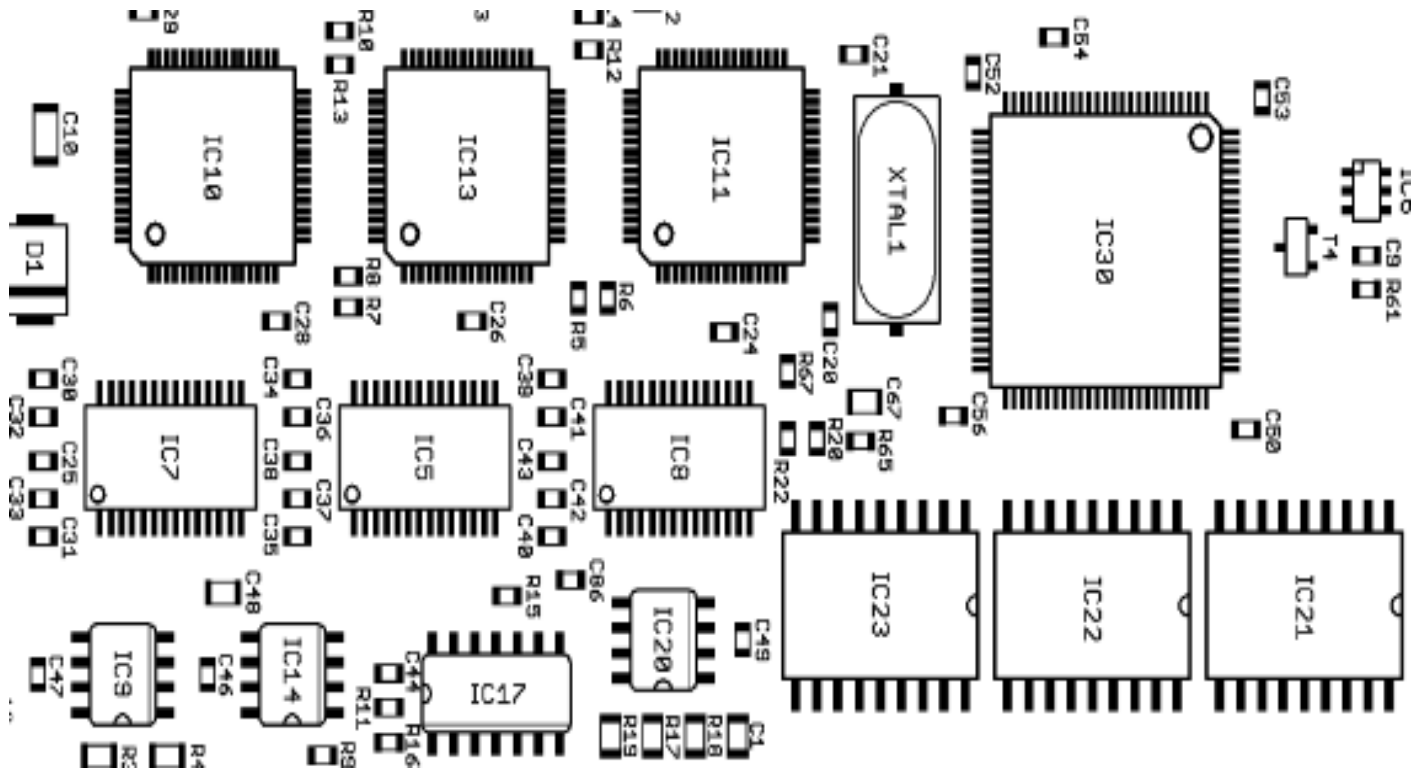


Vorlage einer optimalen Stückliste:

Qty	Position	Pack.	Description	Value	Case	Toleranz	Voltage	Free manufacturer	Manufacturer Number	Alternative
1	C11	THT	Aluminium Electrolytic Capacitor	330uF	Ø18mmx16.5mm	20%	100V	Nichicon	URS2A331MHD	
2	C2, C14	SMD	Ceramic Capacitor	1uF	1210	X7R 10%	100V	freely selectable		
1	C8	SMD	Ceramic Capacitor	1nF	0805	X7R 10%	100V	freely selectable		
1	C11	SMD	Ceramic Capacitor	13pF	0805	X7R 10%	50V	freely selectable		
1	C12	SMD	Ceramic Capacitor	22uF	1210	X7R 10%	50V	freely selectable		
1	D1	THT	Varistor High Surge Current	65V DC	7mm			Würth Electronic	820475001	Bourns MOV-07D820KTR
1	D12	SMD	Diode Schottky 1A, -55/150°C	S115FP	SOD-123HE		100V	Fairchild	S110FP	
1	D9	SMD	TVS Diode	64VWM	SMA		103VC	Littelfuse, Bourns	SMAJ64A	
1	D4	SMD	TVS Diode	26VWM	SMA		42,1VC	Littelfuse, STM	SMAJ26A, SMAJ26A-TR	
1	L15	SMD	Shielded Inductor 2.65A, 43mΩ	1,2uH	4.8 x 4.8mm	20%		Coilcraft	LPS5030-122ML	

Vorlage von einem Bestückungsplan:



Vorlage der Pick and Place Daten:

C5	470nF	1206	(27 15.2)	R90
C9	1nF	0603	(36.1 10.9)	R0
C1	100pF	0805	(92.3 19.3)	R180
C18	18pF	0402	(80.1 14.1)	R0
C11	18pF	0603	(66.5 17.5)	R90
C17	1uF	2512	(25.4 99.5)	R180
C20	470uF	0201	(39.8 7.5)	R0
D1	3,3V	SOT23	(16.2 70.3)	R0
F1	1A	0805	(42.9 20.5)	R90
L1	100uH	0603	(6 21.9)	R90
L3	33uH	0402	(39.7 77.7)	R180
L8	FERRIT	1206	(15.3 6.9)	R0
L9	FERRIT	0402	(51.8 3.1)	R90
R1	1R	0201	(25.7 36.2)	R270
R9	499K	2512	(52.4 11.4)	R90
R2	1k	1206	(96.1 10.5)	R180
R11	10k	0805	(19.3 11.6)	R0
R15	19k9	0603	(46.5 63.5)	R180
T8	SI2315BDS	SOT23-5	(30 30.7)	R180
U10	74HC74D	S08	(74.9 74)	R270
U1	NCP1117	QFP24	(65.1 14.9)	R0
U12	SN75LBC	Minimelf	(9 11.8)	R180